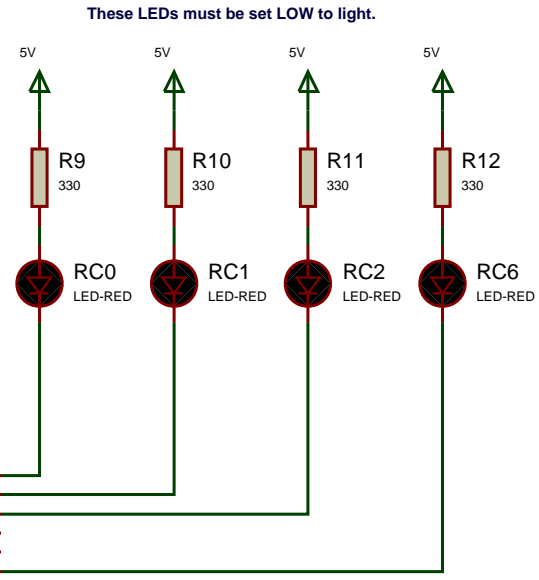
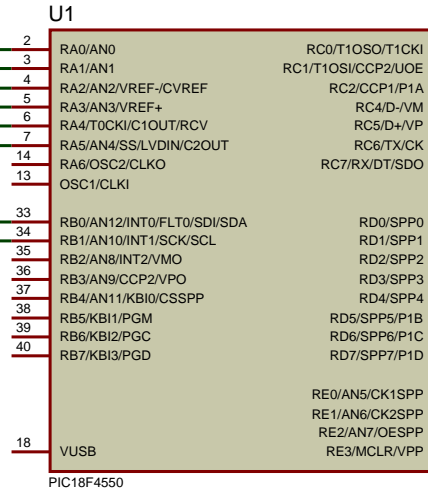
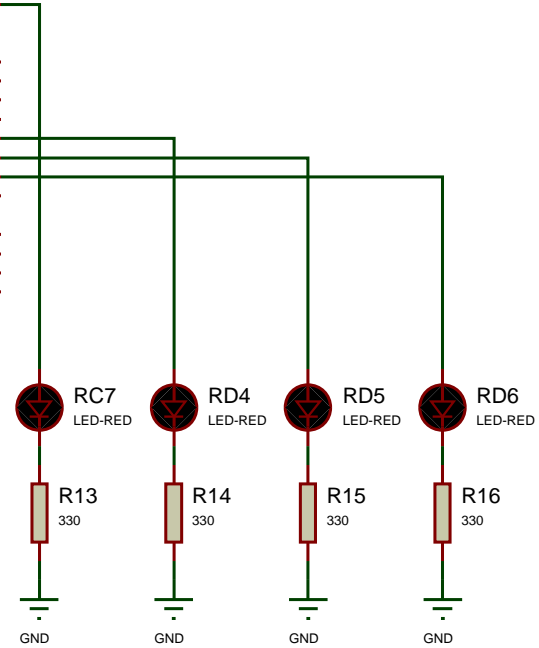


These buttons will be HIGH when open and LOW when pressed.



These LEDs must be set LOW to light.



These LEDs must be set HIGH to turn on